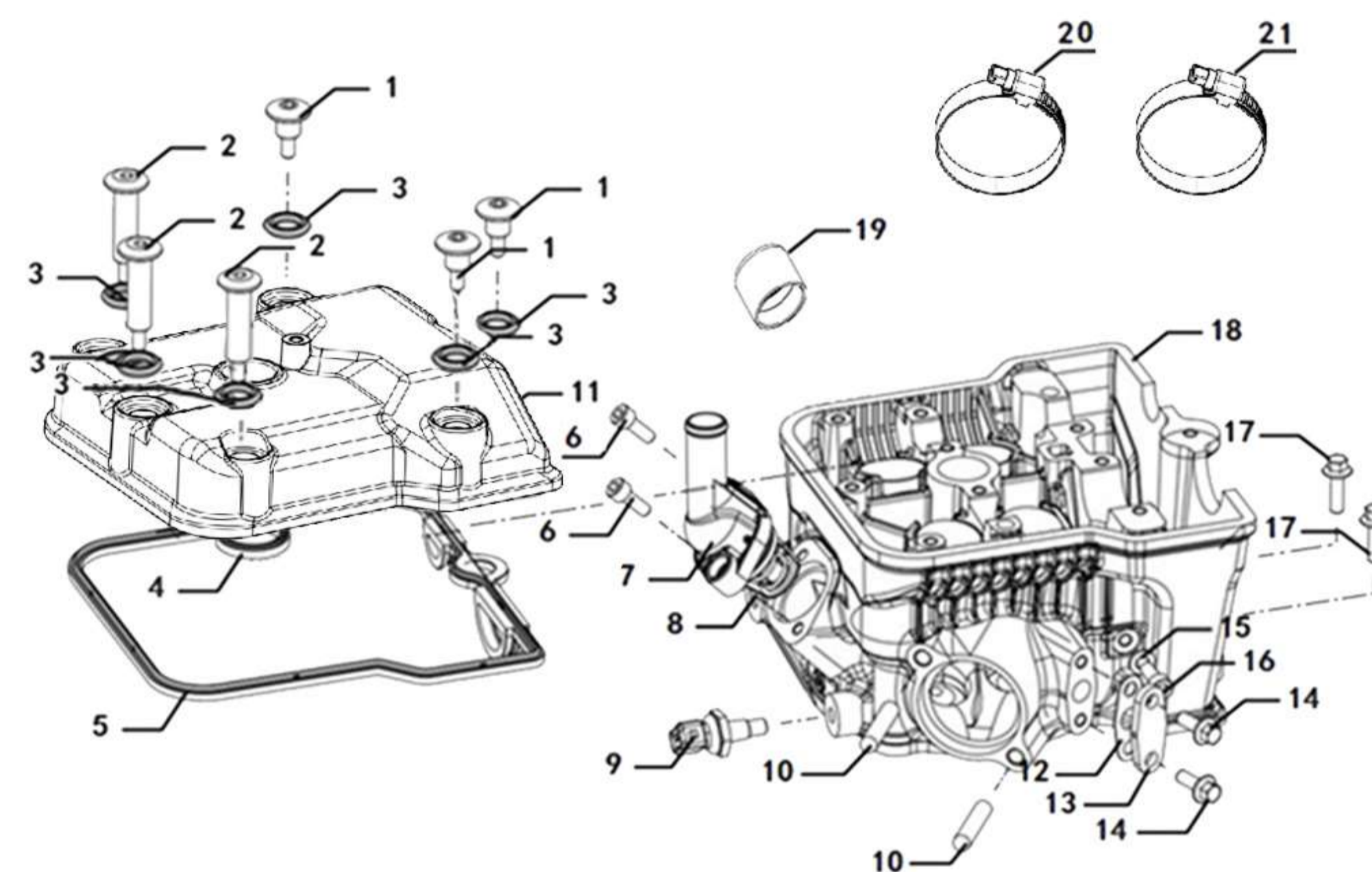


气缸头部件 CYLINDER HEAD ASSY

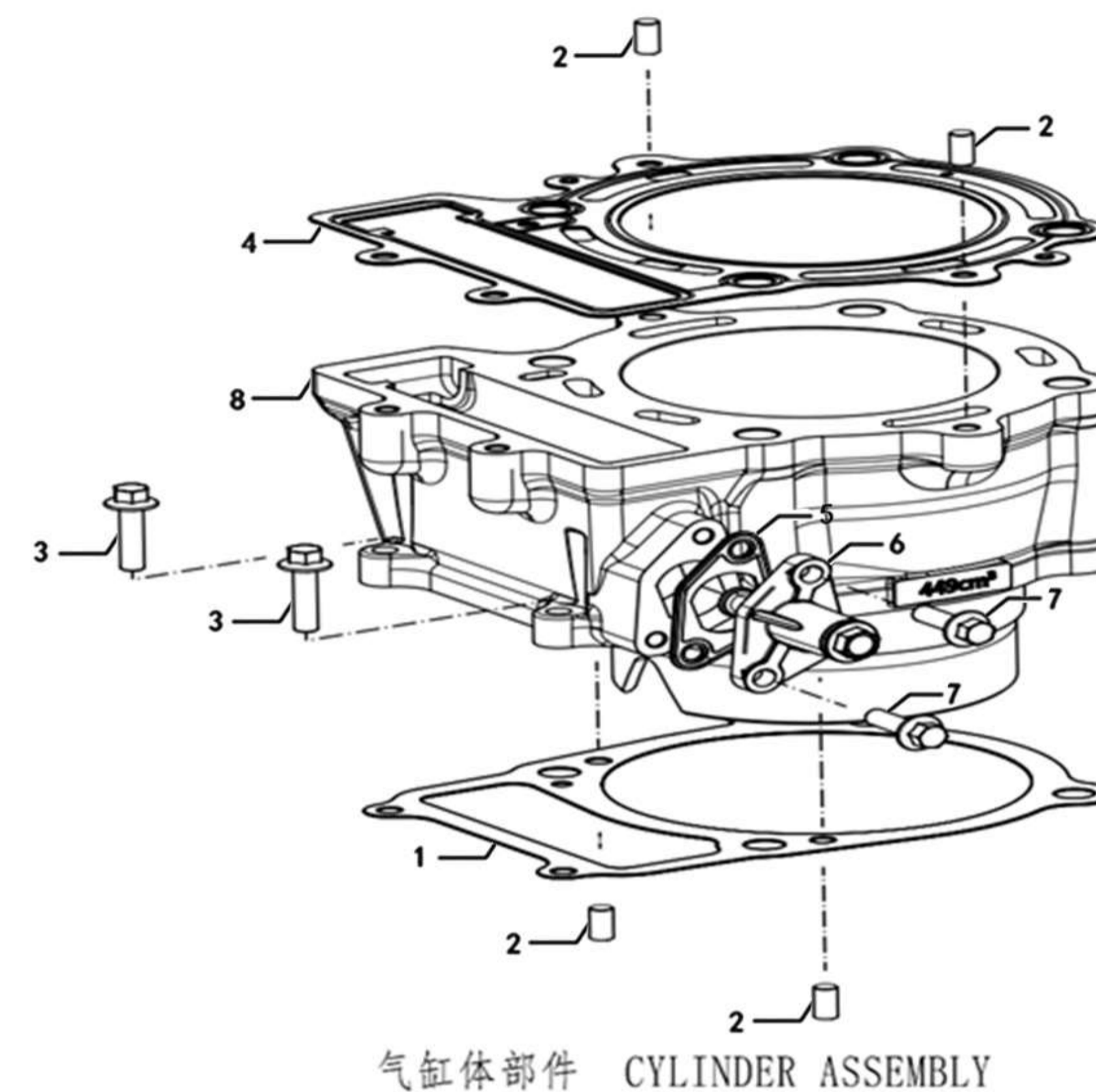
序号NO.	编码 (PART CODE)	中文名称 (CHINESE DESCRIPTION)	英文名称 (ENGLISH DESCRIPTION)	数量QTY	备注 Note
1	100100406-0002	Derbi125缸头盖固定螺栓(异形M6 兰白锌)	Screw, M6		
2	100094312	NC450缸头盖固定螺栓(异形M6×50.7)	Screw		
3	100102894	Derbi125头盖螺栓缓冲垫圈	Washer		
4	100104162	Derbi125火花塞孔密封圈	Spark Hole Gasket		
5	100124073	NC450S缸头盖密封圈	Seal Ring, Of Upper Cover Cylinder Head		
6	100010839-0003	GB70.1螺栓M6×20(兰白锌)	Bolt, M6×20		
7	100724177	NC450节温器罩	Thermostat Cover		
8	100767957	NC450S节温器(2# 通气孔φ2)	Thermostat		
9	100728067	NC450电喷冷却液温度传感器(三针带线)	Temperature Sensor		
10	100087291-0001	WH125缸头排气口双头螺栓M8×35(兰白锌)	Bolt, M8×35		
11	100124069-0002	NC450S气缸头盖(6813)	Upper Cover Cylinder Head		
12	100104640	PW70废气循环铁管纸垫	Paper Gasket		
13	100105429	CG125D二次进气口盖板	Intake Cover Board		
14	100055589-0006	GB16674小盘螺栓M6×16(兰白锌)	Bolt, M6×16		
15	100106566	平垫圈(φ6.5×1.5×φ12)	Washer, φ6.5×1.5×φ12		
16	100010837-0002	GB70.1螺栓M6×16(兰白锌)	Bolt, M6×16		
17	100033110-0002	GB16674小盘螺栓M6×25(兰白锌) 35CrMo P	Bolt, M6×25		
18	100721175-0002	NC450S气缸头组合(凯越款 M8 62 抛丸钝化)	Cylinder Head Assembly		
19	100715785	NC250S缸头出水嘴防尘胶套	rubber cover		
20	100762059	NC450S进气管卡箍组件(φ74mm)	Clamp Inlet Pipe		
21	100762058	NC450S进气管卡箍组件(φ75mm)	Clamp Inlet Pipe		
22					
23					
24					
25					
26					
27					
28					
29					
30					
31					
32					
33					
34					
35					
36					
37					
38					
39					
40					
41					
42					
43					
44					
45					



气缸头部件 CYLINDER HEAD ASSY

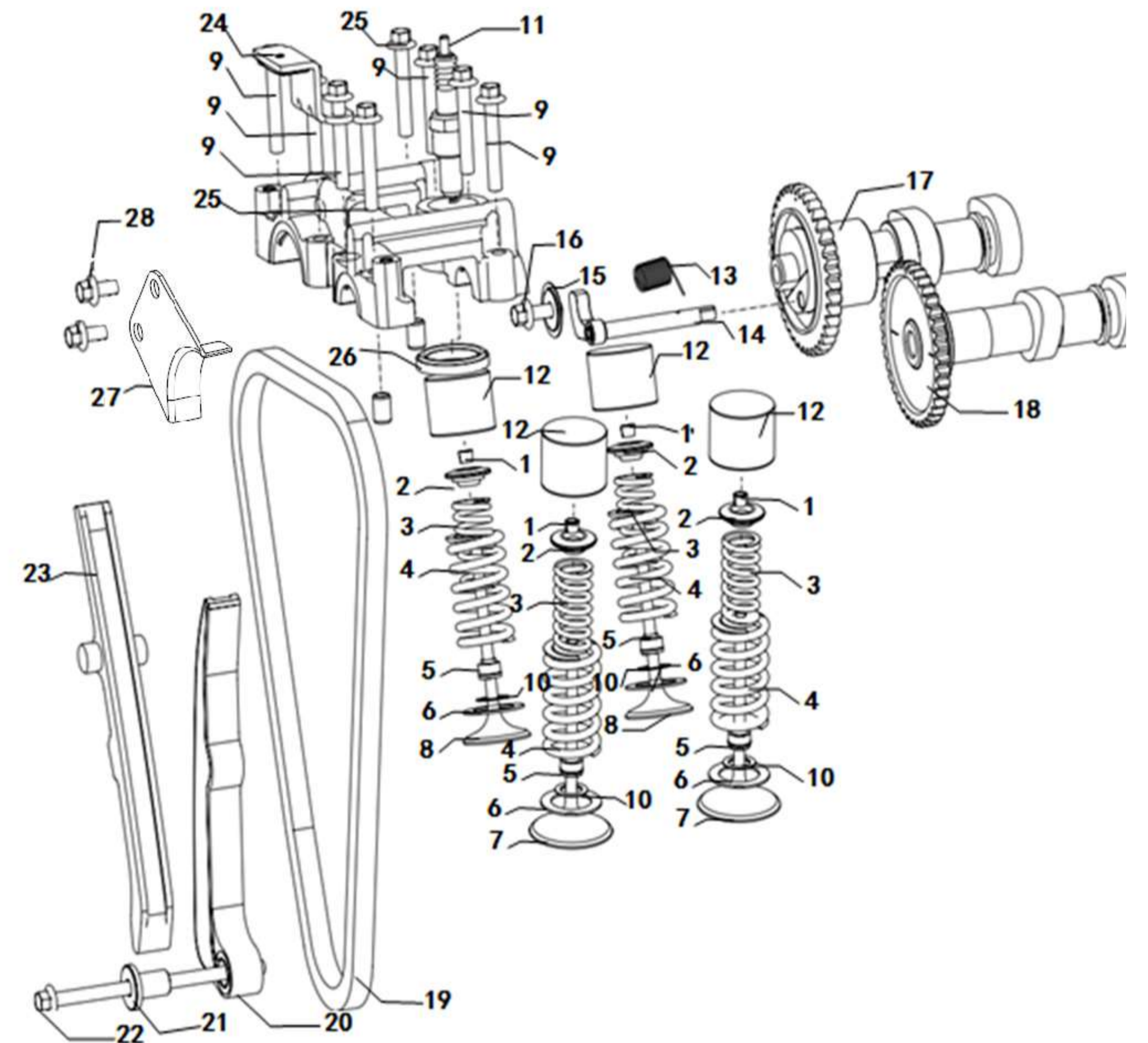
气缸体部件 CYLINDER ASSEMBLY

序号NO.	编码 (PART CODE)	中文名称 (CHINESE DESCRIPTION)	英文名称 (ENGLISH DESCRIPTION)	数量QTY	备注 Note
1	100104566	NC450气缸体密封垫(发泡金属橡胶复合板)	Gasket Cylinder Block		
2	100108526	圆柱销 $\phi 6 \times 12$	Pin, $\phi 6 \times 12$		
3	100033110-0002	GB16674小盘螺栓M6 \times 25(兰白锌) 35CrMo P	Bolt, M6 \times 25		
4	100124088	NC450S气缸头密封垫组合(金属)	Gasket Assy Cylinder Head		
5	100108520	HIPER50张紧器密封垫	Gasket Tensioner		
6	100760013-0001	NC450S张紧器组合(2# 抛丸钝化)	Chain Tensioning Wheel		
7	100055588-0006	GB16674小盘螺栓M6 \times 20(兰白锌)	Bolt, M6 \times 20		
8	100124072-0001	NC450S气缸体部件(缸标449 抛丸钝化)	Cylinder Block Assembly		
9					
10					
11					
12					
13					
14					
15					
16					
17					
18					
19					
20					
21					
22					
23					
24					
25					
26					
27					
28					
29					
30					
31					
32					
33					
34					
35					
36					
37					
38					
39					
40					
41					
42					
43					
44					
45					



配气机构 VALVE MECHANISM

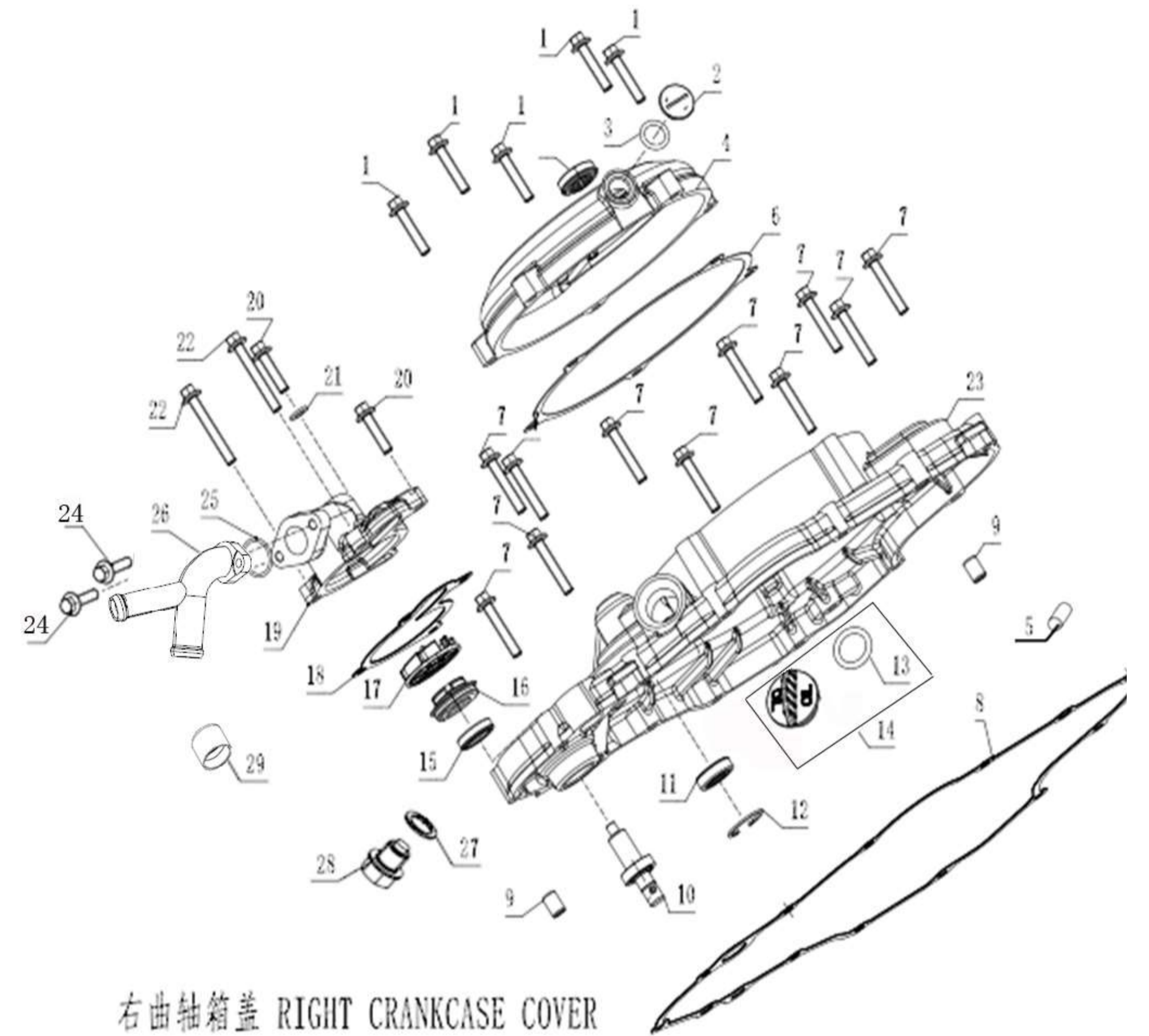
序号NO.	编码 (PART CODE)	中文名称 (CHINESE DESCRIPTION)	英文名称 (ENGLISH DESCRIPTION)	数量QTY	备注 Note
1	100051841	CB125脚气门锁夹(改进型)	Valve Locker		
2	100730259	NC450S气门弹簧上座	Spring Seat		
3	100730261	NC450S气门内弹簧	Inner Valve Spring		
4	100730260	NC450S气门外弹簧	Outer Valve Spring		
5	100105336	CG125D挡油罩组合	Seal Valve Stem		
6	100730262	NC450S气门外弹簧座圈	Outer Valve Spring Retainer		
7	100731050	NC450S排气门(杆径 ϕ 5.5)	Exhaust Valve		
8	100731051	NC450S进气门(杆径 ϕ 5.5)	Intake Valve		
9	100011537-0002	GB16674小盘螺栓M6 \times 35(兰白锌)	Bolt, M6 \times 35		
10	100105325	CG125D气门内弹簧座圈(下)	SpRing, Seat		
11	100064166	NC250电喷火花塞(NGK CR8E)	Spark Plug		
12	100730352	NC450S气门挺柱(DLC涂层 ϕ 30.5)	Valve Tappet		
13	100756168	NC450S减压阀复位扭簧	Decompression SpRing, Of Camshaft		
14	100124092	NC450S排气凸轮轴减压阀甩块组合	Swing Piece Assemble		
15	100149788	NC250S凸轮轴减压阀挡板(ϕ 6.5 \times 2 \times ϕ 25 兰白锌)	Washer, ϕ 6.5 \times 2 \times ϕ 25		
16	100055589-0006	GB16674小盘螺栓M6 \times 16(兰白锌)	Bolt, M6 \times 16		
17	100748842	NC450S排气凸轮轴部件(链条加强)	Exhaust camshaft component		
18	100748841	NC450S进气凸轮轴部件(链条加强)	Intake camshaft component		
19	100748508	NC450S正时链条组合(5 \times 134 齿形链)	Timing Chain		
20	100733674	NC450S链条张紧板组合(2#)	Tension Plate Assy		
21	100105211	NC450张紧板衬套	Bush		
22	100033090-0004	GB16674小盘螺栓M6 \times 105(兰白锌)	Bolt, M6 \times 105		
23	100124075	NC450S链条导向板组合	Guide Plate Chain		
24	100733757	NC450S链条压板(2#)	Clamp		
25	100033118-0007	GB16674小盘螺栓M6 \times 40(兰白锌) 35CrMo P	Bolt, M6 \times 40		
26	100104162	Derbi125火花塞孔密封圈	Spark Hole Gasket		
27	100758761	NC450S链条护板	Assembly Chain Protect Plate		
28	100055591-0006	GB16674小盘螺栓M6 \times 12(兰白锌)	Bolt, M6 \times 12		
29					
30					
31					
32					
33					
34					
35					
36					
37					
38					
39					
40					
41					
42					
43					
44					
45					



配气机构 VALVE MECHANISM

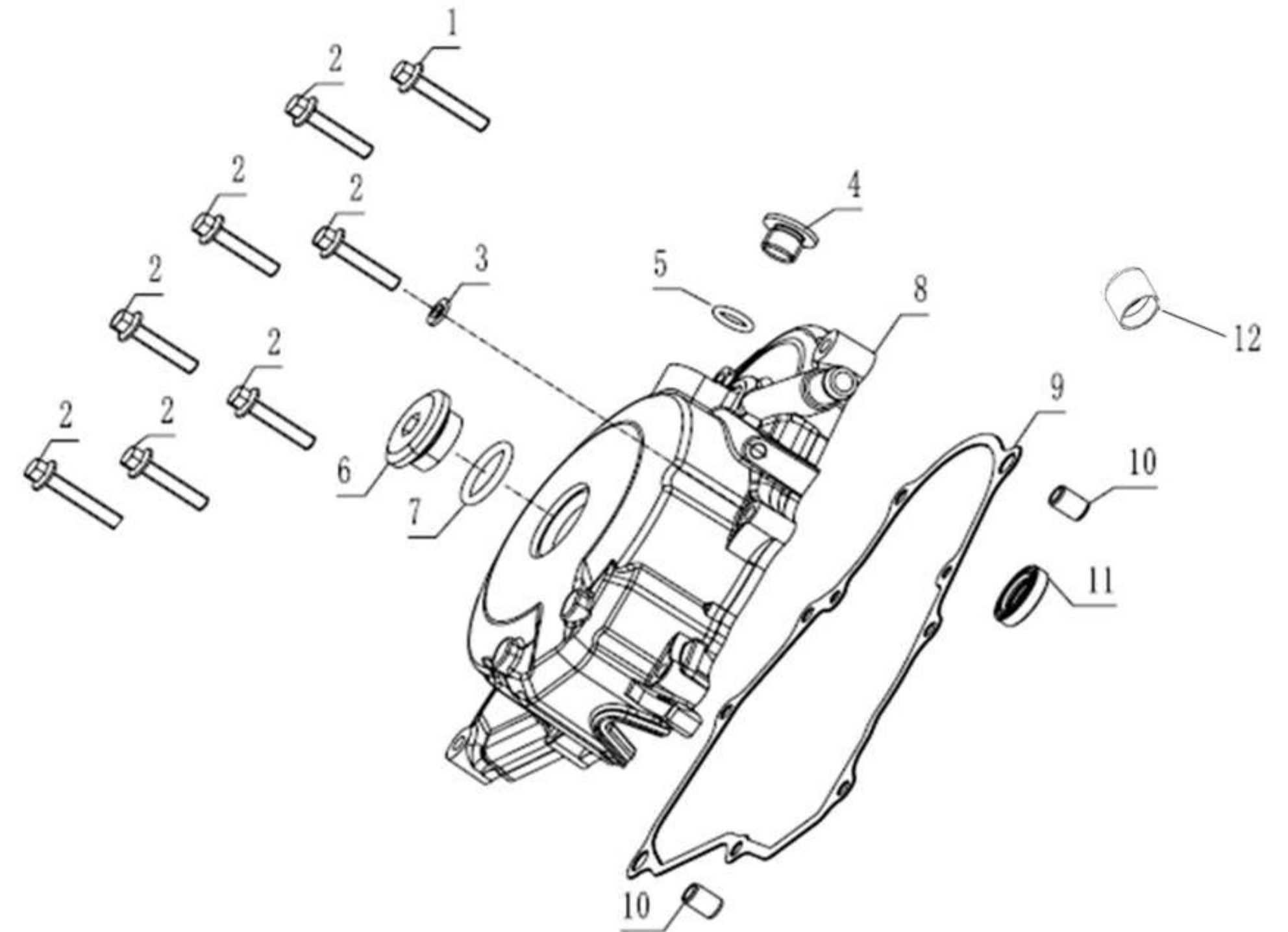
右曲轴箱盖 RIGHT CRANKCASE COVER

序号NO.	编码 (PART CODE)	中文名称 (CHINESE DESCRIPTION)	英文名称 (ENGLISH DESCRIPTION)	数量QTY	备注 Note
1	100031792-0003	GB70.1螺栓M6×30(兰白锌)	Bolt, M6×30		
2	100206182-0012	ZY150小视孔盖(内六角 抛丸钝化)	Cap Small View Hole		
3	100138362	O型圈(Φ13.2×2.65 氟橡胶)	O-Ring, Φ13.2×2.65		
4	100714002-0007	NC450右装饰盖组合(凯越款 带堵头 无喷嘴 ZF-KY 抛丸钝化)	Right decorate cover assembly		
5	100083675	NC450右装饰盖油嘴	fuel spray nozzle		
6	100087037	NC250右装饰盖密封垫(3# 发泡金属橡胶复合板)	Gasket Decotate Cover		
7	100011537-0002	GB16674小盘螺栓M6×35(兰白锌)	Bolt, M6×35		
8	100104577	NC450右曲轴箱盖密封垫(发泡金属橡胶复合板)	Gasket R.Crankcase Cover		
9	100102726	定位销Φ9×13	Dowel Pin, Φ9×13		
10	100069942	NC450水泵轴组合(2#)	Shaft Water Pump Ass.		
11	100104688	NC250曲轴油封(14×24×7 TCV型 氟橡胶)	Oil Seal 14×24×7		
12	100011077	GB893.1挡圈24	Retaining Ring, 24		
13	100107693	O型圈18×3.55(氟橡胶)	O-Ring, Φ18×3.55		
14	100126228	NC250机油塞组合(2# 黑色 带1600ml标识)	Oil Plug Assy		
15	100104809	NC250水泵轴油封(12×24×6 氟橡胶)	Oil Seal 12×24×6		
16	100105543	NC450机械水封组件	Water Pump Seal		
17	100066800	NC450水泵叶轮	Ane Wheel Water Pump		
18	100069962	NC450水泵盖密封垫(发泡金属橡胶复合板)	Gasket		
19	100070535-0003	NC450水泵盖(2# 抛丸钝化)	Water Pump Cover		
20	100011534-0002	GB16674小盘螺栓M6×25(兰白锌)	Bolt, M6×25		
21	100106566	平垫圈(Φ6.5×1.5×Φ12)	Washer, Φ6.5×1.5×Φ12		
22	100011539-0001	GB16674小盘螺栓M6×45(兰白锌)	Bolt, M6×45		
23	100760470-0003	NC450S右盖组合(普通款 油冷孔螺纹M10×1.25 仅电 白板 抛丸钝化)	Cover Comp Right Crankcase		
24	100055589-0006	GB16674小盘螺栓M6×16(兰白锌)	Bolt, M6×16		
25	100107695	O型圈(Φ19×1.8 丁腈胶)	O-Ring, Φ19×1.8		
26	100731170	NC450S进水管接头	Pipe Joint		目前为老状态, 刚接收到联络, 后续走流程按要求更改。
27	100106578	平垫圈(Φ10×1×Φ14)	Washer, Φ10×1×Φ14		
28	100204649-0001	AX100放油螺塞M10×1.25(兰白锌)	Oil Drain Plug		
29	100714175	NEXUS250电喷进出水口堵具	Plug		
30					
31					
32					
33					
34					
35					
36					
37					
38					
39					
40					
41					
42					
43					
44					
45					



左曲轴箱盖 LEFT CRANKCASE COVER

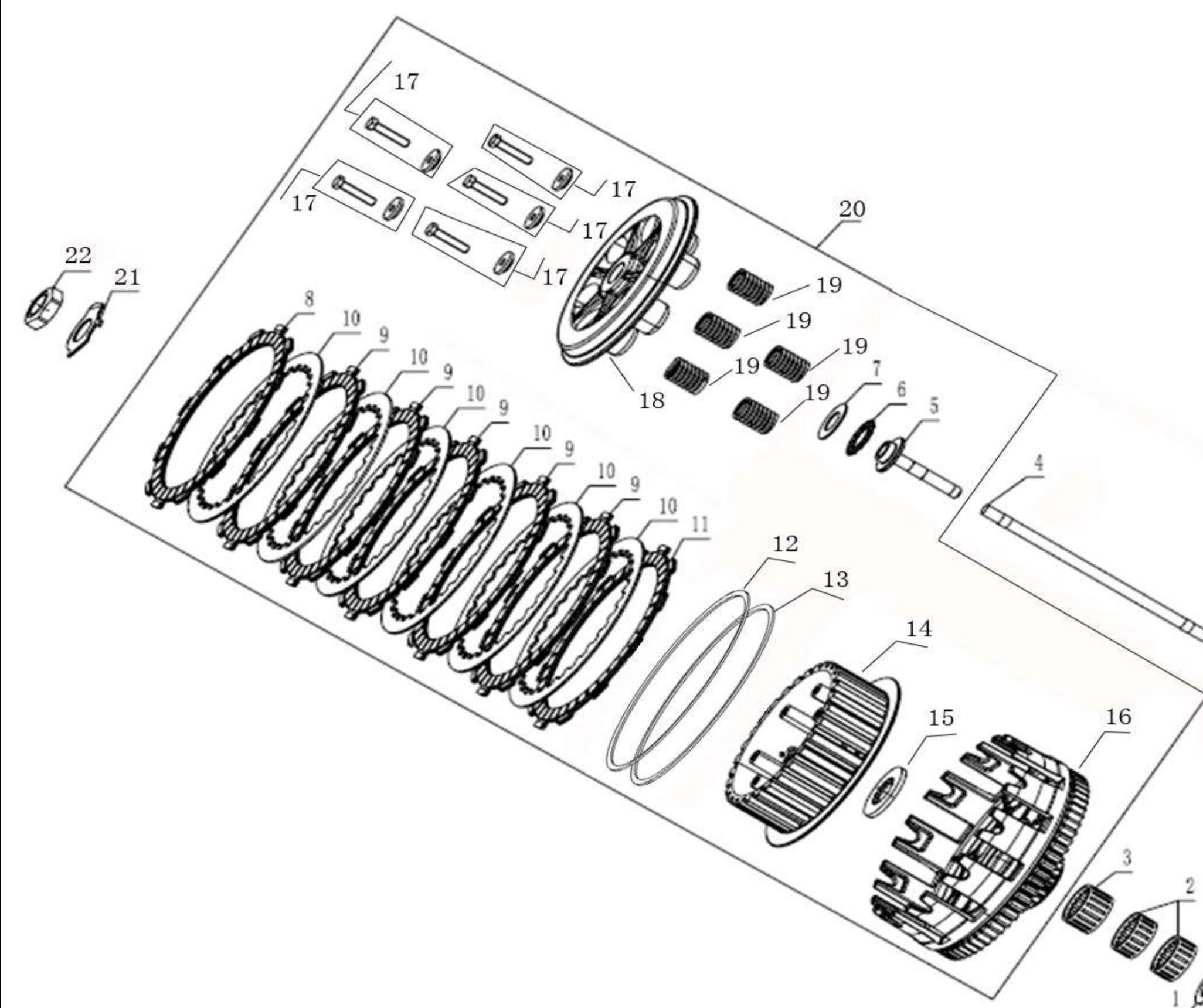
序号NO.	编码 (PART CODE)	中文名称 (CHINESE DESCRIPTION)	英文名称 (ENGLISH DESCRIPTION)	数量QTY	备注 Note
1	100011537-0002	GB16674小盘螺栓M6×35(兰白锌)	Bolt, M6×35		
2	100011536-0002	GB16674小盘螺栓M6×30(兰白锌)	Bolt, M6×30		
3	100106566	平垫圈(Φ6.5×1.5×Φ12)	Washer, Φ6.5×1.5×Φ12		
4	100105195	NC250摇臂轴定位螺栓M14×1	Bolt		
5	100107654	O型圈(Φ11.8×2.6 氟橡胶)	O-Ring, Φ11.8×2.6		
6	100713816-0001	C100大视孔盖(Φ24内径 抛丸钝化)	cover		
7	100107733	O型圈(Φ27.4×2.65 氟橡胶)	O-Ring, Φ27.4×2.65		
8	100713815-0006	NC450S左盖组合(普通款 ZF-KY 抛丸钝化)	left cover assembly		
9	100104579	NC450左边盖密封垫(发泡金属橡胶复合板)	Gasket Cylinder Head Upper Cover		
10	100102726	定位销Φ9×13	Dowel Pin, Φ9×13		
11	100104662	LY350换档臂油封(14×26×6 氟橡胶)	Oil Seal 14×26×6		
12	100201333	CG125D空气泵进气口防尘胶套	Dust Bush		
13					
14					
15					
16					
17					
18					
19					
20					
21					
22					
23					
24					
25					
26					
27					
28					
29					
30					
31					
32					
33					
34					
35					
36					
37					
38					
39					
40					
41					
42					
43					
44					
45					



左曲轴箱盖 LEFT CRANKCASE COVER

离合器总成 CLUTCH ASSY

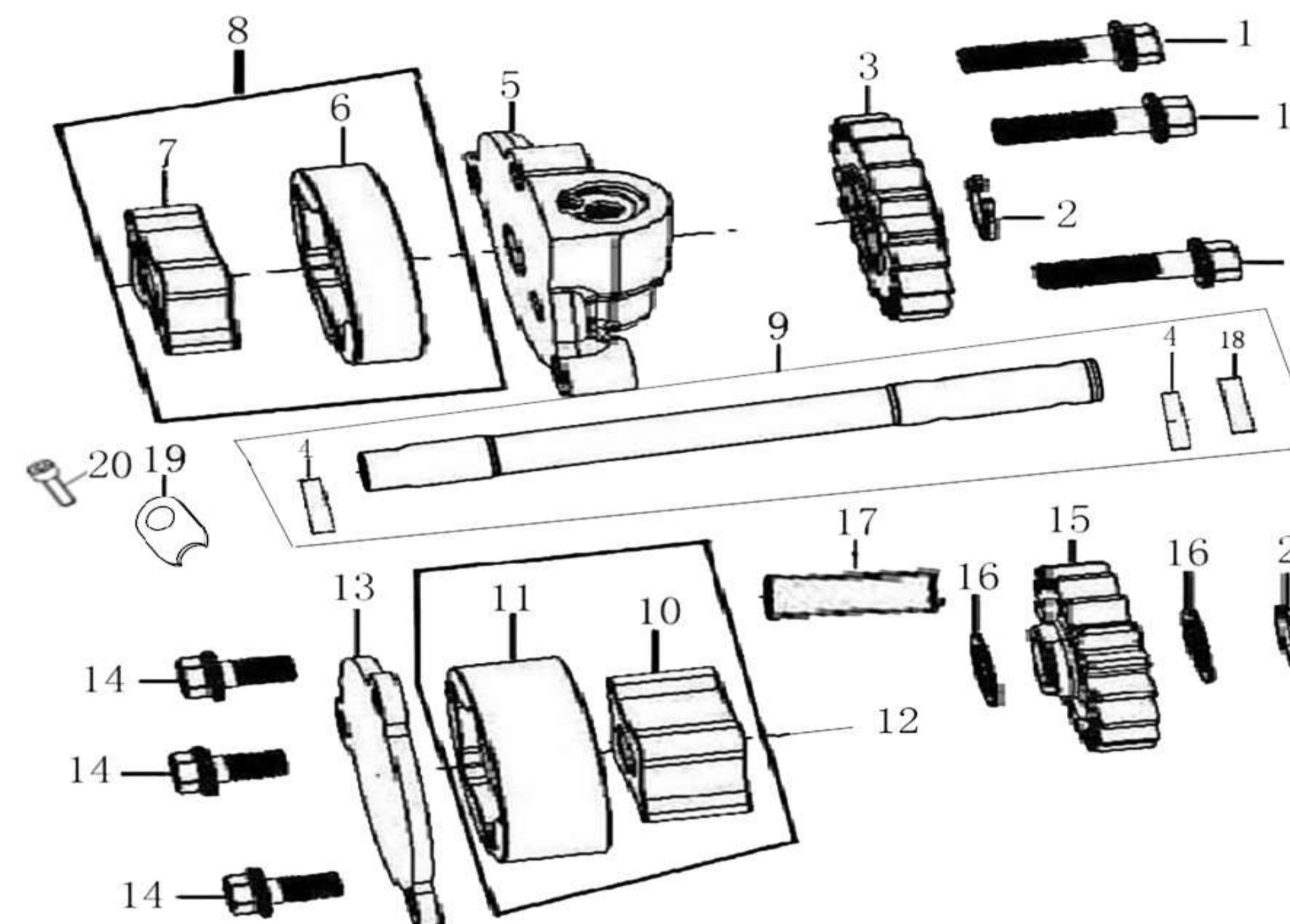
序号NO.	编码 (PART CODE)	中文名称 (CHINESE DESCRIPTION)	英文名称 (ENGLISH DESCRIPTION)	数量QTY	备注 Note
1	100106487	平垫圈(φ25×1.8×φ36)	Washer, φ25×1.8×φ36		
2	100090875	轴承(K25×29×10_滚针)	Needle BeRing, (K25×29×10)		
3	100101254	轴承(K25×29×17_滚针)	Needle BeRing, (K25×29×17)		
4	100103437	NC250离合器推杆	Pushing Rod Clutch		
5	100090873	NC450离合器顶杆(2#)	Rod Clutch Push (2#)		
6	100101204	GR125离合器止推轴承(Axk1528)	BeaRing, (Axk1528)		
7	100106415	平垫圈(φ15×1×φ28)	Washer, φ15×1×φ28		
8	100123227	NC450离合器主动摩擦片(富士离合器专用)	Drive Friction Disk	1	
9	100123251	NC450离合器主动摩擦片(2#_富士离合器专用)	Drive Friction Disk	5	
10	100123226	NC450离合器从动摩擦片(富士离合器专用)	Outer Friction Disk A	6	
11	100123250	NC450离合器主动摩擦片(3#_富士离合器专用)	Drive Friction Disk	1	
12	100125136	NC450离合器蝶形垫圈(富士离合器专用)	Dish Washer, Clutch		
13	100125141	NC450离合器蝶形垫圈衬座(富士离合器专用)	Line seat of Dish Washer, Clutch		
14	100125143	NC450离合器中心套(富士离合器专用)	Center Sleeve Clutch		
15	100125137	NC450离合器花键垫圈(富士离合器专用)	Washer		
16	100125142	NC450离合器外罩组合(富士离合器专用)	Out Case Assembly Clutch		
17	100125138	NC450离合器压盘螺栓(富士离合器专用)	Clutch disc bolt		
18	100125140	NC450离合器压盘(富士离合器专用)	Pressure Plate Clutch		
19	100125139	NC450离合器弹簧(富士离合器专用)	pressure plate clutch	1	
20	100098881	NC450离合器总成(3#_富士离合器)	Clutch Assy		
21	100121288	NC450离合器止推垫片	Stop Washer		
22	100059392	NC250主动齿锁紧螺母M18×1(2#)	Nut M18		
23					
24					
25					
26					
27					
28					
29					
30					
31					
32					
33					
34					
35					
36					
37					
38					
39					
40					
41					
42					
43					
44					
45					



离合器总成 CLUTCH ASSY

机油泵部件 OIL PUMP

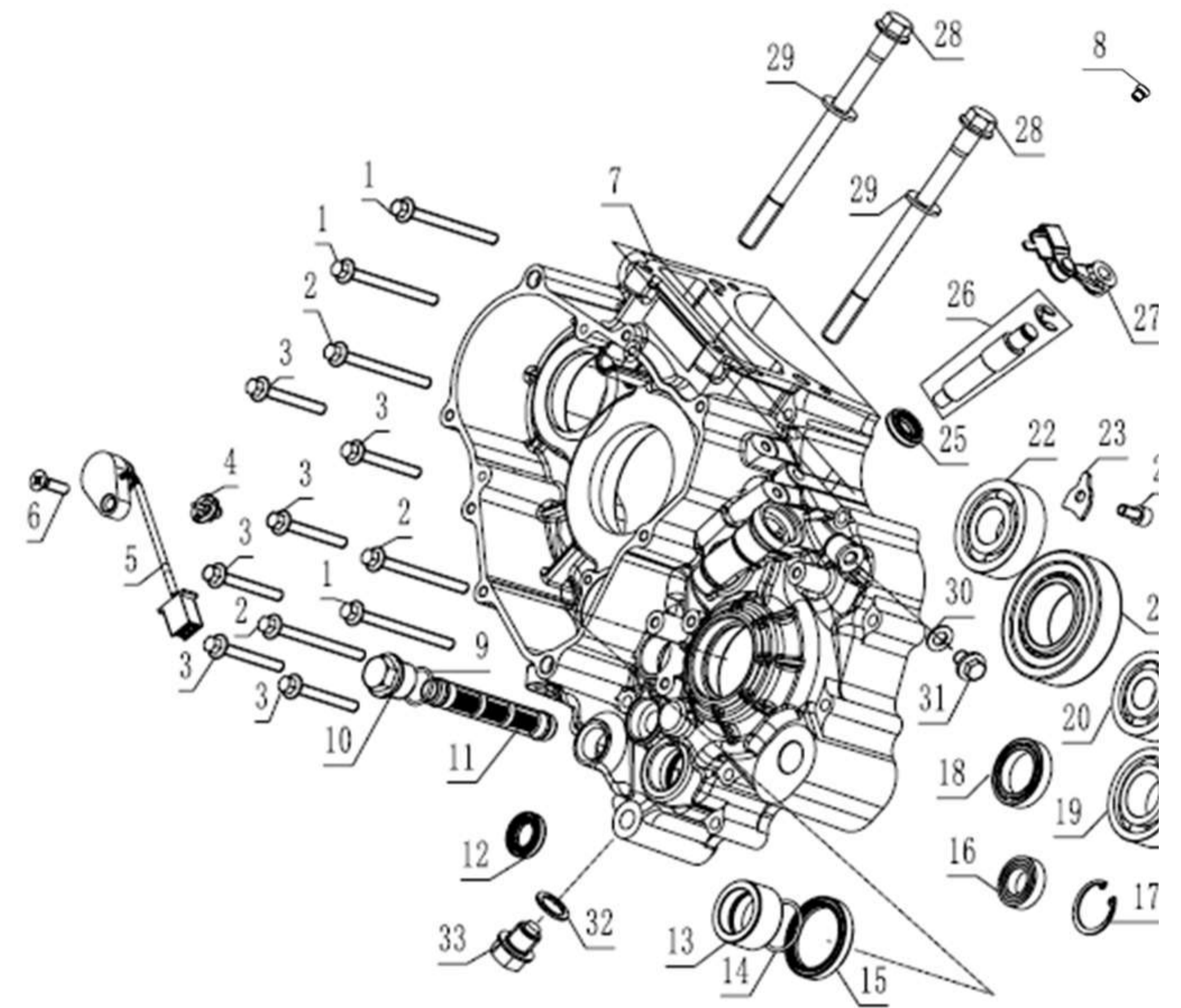
序号NO.	编码 (PART CODE)	中文名称 (CHINESE DESCRIPTION)	英文名称 (ENGLISH DESCRIPTION)	数量QTY	备注 Note
1	100011521-0001	GB16674小盘螺栓M5×18(兰白锌)	Bolt, M5×18		
2	100011094	GB894.1挡圈10(轴径10 内径9.3 RoHS)	Retaining Ring, 10		
3	100083712	NC450机油泵齿轮组合(2# PA46)	Oil Pump Gear Ass.		
4	100100903	圆柱销φ4×15.8	Pin, φ4×15.8		
5	100100168	NC250机油泵盖板(右)	Oil Pump Cover		
6	100100207	NC250机油泵外转子(一)	Outer Rotor Oil Pump		
7	100100196	NC250机油泵内转子(一)	Inner Rotor Oil Pump		
8	100100215	NC250机油泵转子组件(8mm)	Oil Pump Rotor		
9	100100157	NC250机油泵油泵轴	Shaft Oil Pump		
10	100100197	NC250机油泵内转子(二)	Inner Rotor Oil Pump		
11	100100208	NC250机油泵外转子(二)	Outer Rotor Oil Pump		
12	100100216	NC250机油泵转子组件(14mm)	Oil Pump Rotor		
13	100100167	NC250机油泵盖板(左)	Oil Pump Cover		
14	100011518-0001	GB16674小盘螺栓M5×12(兰白锌)	Bolt, M5×12		
15	100083711	NC450机油泵过桥齿轮(2# PA46)	Oil Pump Gear		
16	100106390	平垫圈(φ10.2×0.5×φ15)	Washer, φ10.2×0.5×φ15		
17	100756198	NC450机油泵过桥齿轮轴	Oil Pump Gear Shaft		
18	100100889	圆柱销φ3×16	Pin, φ3×16		
19	100754529	NC450机油泵过桥齿轮轴压板	Stop Plategear shaft		
20	100716947-0002	GB70.3螺栓M6×16(兰白锌) 10.9级	Bolt, M6×16		
21					
22					
23					
24					
25					
26					
27					
28					
29					
30					
31					
32					
33					
34					
35					
36					
37					
38					
39					
40					
41					
42					
43					
44					
45					



机油泵部件
OIL PUMP

左曲轴箱 LEFT CRANKCASE

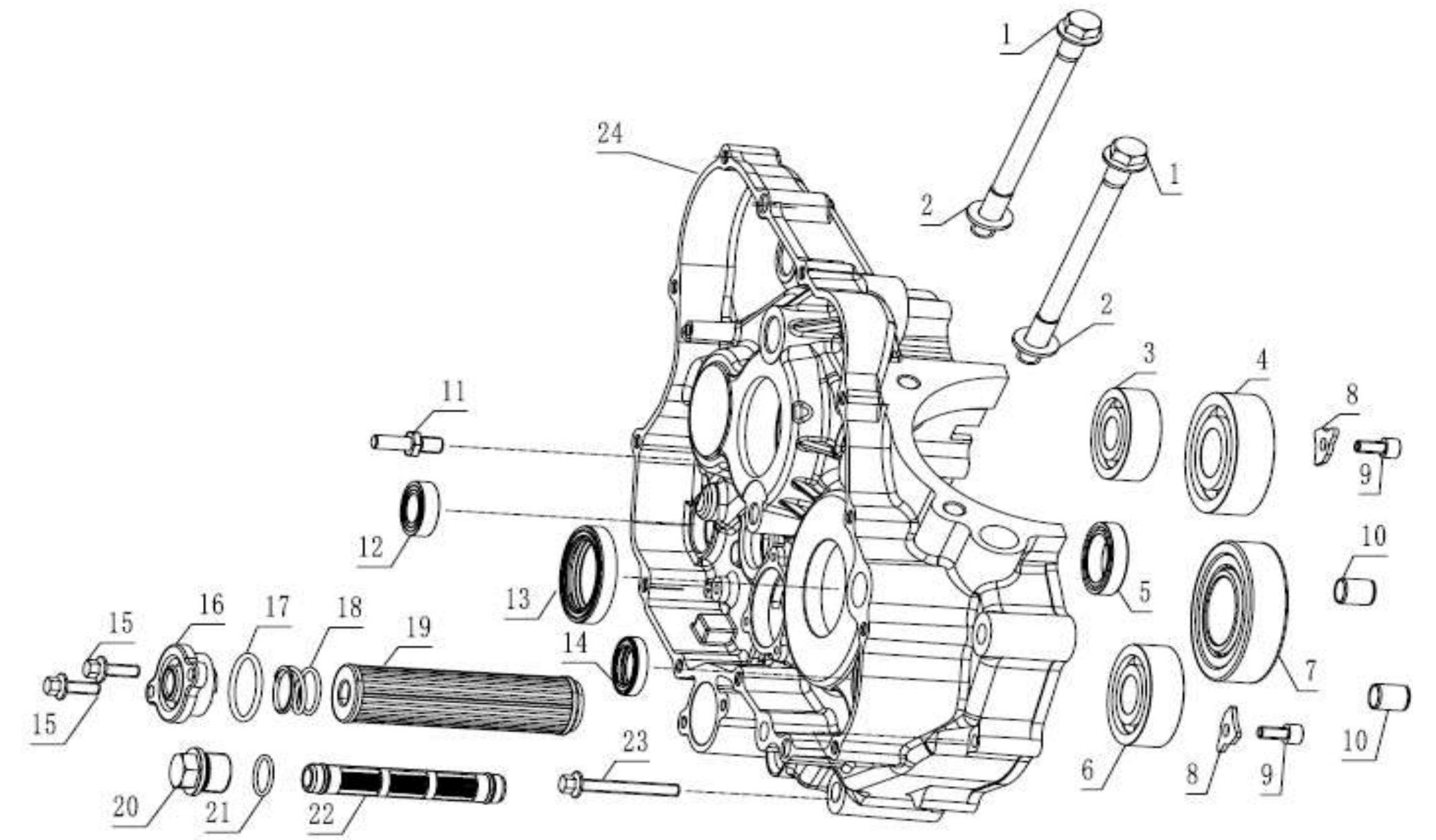
序号NO.	编码 (PART CODE)	中文名称 (CHINESE DESCRIPTION)	英文名称 (ENGLISH DESCRIPTION)	数量QTY	备注 Note
1	100071619-0001	GB16674.1小盘螺栓M6×70(兰白锌 35CrMo) 10.9级	Bolt, M6×70		
2	100071434-0001	GB16674.1小盘螺栓M6×65(兰白锌 35CrMo) 10.9级	Bolt, M6×65		
3	100033120-0001	GB16674小盘螺栓M6×45(兰白锌) 35CrMo P	Bolt, M6×45		
4	100104487	CG125D档显动触头(2#)	Contact Cearindication		
5	100104494-0015	NC250六档档显线束(六档国际 接口6G-D99 L:500)	Gearshift Switch Comp		
6	100010979-0003	GB819.2螺钉M6×20(兰白锌)	Screw, M6×20		
7	100718367-0002	NC450左曲轴箱组合(2# 曲轴轴承孔带嵌件 凯越专用 抛丸钝化)	Left Crankcase Block		
8	100100726	NC250机油喷嘴	Oil Nozzle		
9	100107684	O型圈(φ17.5×1.8 氟橡胶)	O-Ring, φ17.5×1.8		
10	100104918-0001	NC250机油滤网盖(黑锌)	Cover Oil Filter Screen		
11	100060838	NC250机油滤网组合(2# 带O型密封圈)	Strainer Oil Filter	3	
12	100104830	LY350倒档变速鼓油封(15×25×5 氟橡胶)	Oil Seal 15×25×5		
13	100103518	NC450输出轴轴套	Bush		
14	100107725	O型圈(φ25×2 氟橡胶)	O-Ring, φ25×2		
15	100104814	LY350输出轴油封(35×45×6 氟橡胶)	Oil Seal 35×45×6		
16	100010771	轴承(61902-2Z)	Bearing, 61902		
17	100011078	GB893.1挡圈28	Retaining Ring, 28		
18	100100927	轴承(61805)	BeaRing, (61805)		
19	100100932	轴承(NJ205)	BeaRing, (Nj205)		
20	100300748	轴承(6303RS C3)	BeaRing, (6303Rs C3)		
21	100070092	轴承(NJ207EM C3)	BeaRing, (Nj207)		
22	100100999	轴承(6304 东培)	BeaRing, (6304)		
23	100068013	NC250轴承挡板	Baffle		
24	100010836-0006	GB70.1螺栓M6×12(兰白锌)	Bolt, M6×12		
25	100104747	CG125D档显油封(14×22×5 丙烯酸酯)	Oil Seal 14×22×5		
26	100086982-0001	NC450离合器分离杆(2# 兰白锌)	Clutch Separating Rod		
27	100770733-0001	ZF250X离合器分离杆摇臂(兰白锌)	Rocker Arm Release Lever Clutch		中心距50mm
28	100771005-0001	NC450气缸双头螺栓AB(M10×152 达克罗) 三价铬	Cylinder Stud Bolt A		
29	100106393	平垫圈(φ10.5×2×φ20 磷化)	Washer, φ10.5×2×φ20		
30	100106575	平垫圈(φ8.5×1.2×φ15)	Washer, φ8.5×1.2×φ15		
31	100032843-0004	GB70.1螺栓M8×12(兰白锌)	Bolt, M8×12		
32	100106556	平垫圈(φ16.5×2×φ23)	Washer, φ16.5×2×φ23		
33	100050705-0002	NC450放油螺塞M16×1.5(兰白锌)	Drain Bolt		
34					
35					
36					
37					
38					
39					
40					
41					
42					
43					
44					
45					



左曲轴箱 LEFT CRANKCASE

右曲轴箱 RIGHT CRANKCASE

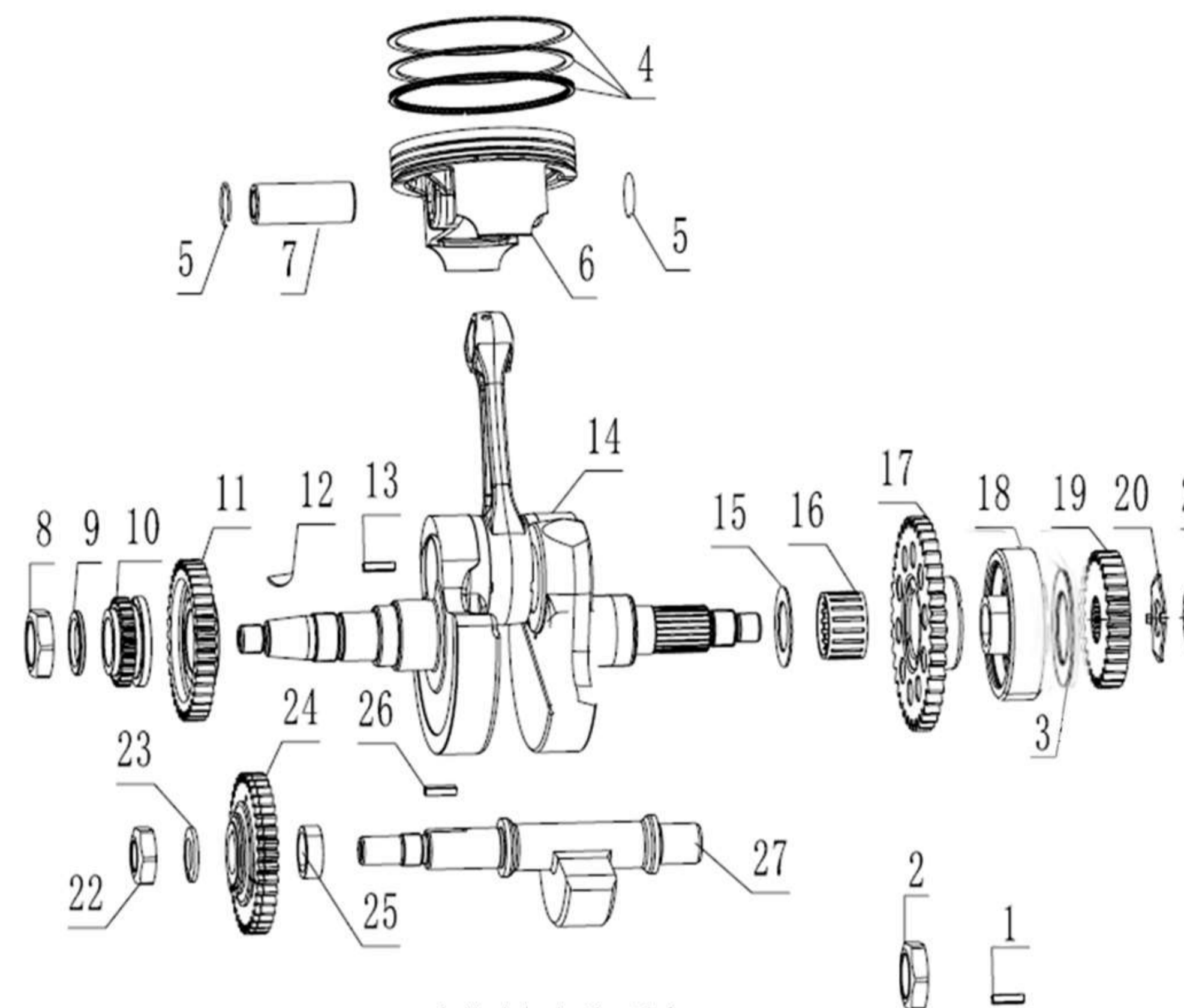
序号NO.	编码 (PART CODE)	中文名称 (CHINESE DESCRIPTION)	英文名称 (ENGLISH DESCRIPTION)	数量QTY	备注 Note
1	100771005-0001	NC450气缸双头螺栓AB(M10×152 达克罗) 三价铬	Cylinder Stud Bolt A		
2	100106393	平垫圈(φ10.5×2×φ20 磷化)	Washer, φ10.5×2×φ20		
3	100300748	轴承(6303RS C3)	BeaRing, (6303Rs C3)		
4	100101252	轴承(6305 P5)	BeaRing, (6305 P5)		
5	100100927	轴承(61805)	BeaRing, (61805)		
6	100100999	轴承(6304 东培)	BeaRing, (6304)		
7	100070092	轴承(NJ207EM C3)	BeaRing, (Nj207)		
8	100068013	NC250轴承挡板	Baffle		
9	100010836-0006	GB70.1螺栓M6×12(兰白锌)	Bolt, M6×12		
10	100108525	定位销φ13×14	Dowel Pin, φ13×14		
11	100100398	NC250变档臂定位螺栓	Bolt Return Springn Fixing		
12	100010771	轴承(61902-2Z)	Bearing, 61902		
13	100104689	NC250右曲轴油封(35×50×7 丙烯酸酯)	Oil Seal 35×50×7		
14	100062066	C135曲轴油封20×30×5(氟橡胶)	Oil Seal 20×30×5		
15	100055589-0006	GB16674小盘螺栓M6×16(兰白锌)	Bolt, M6×16		
16	100063279-0003	NC250机油精滤器盖(2# 抛丸钝化)	Cap Oil Filter		
17	100107754	O型圈(φ30×2.6 氟橡胶)	O-Ring, φ30×2.6		
18	100100017	NC250倒档精滤器弹簧	SpRing, Oil Fine Filter		
19	100104863	NC250倒档机油精滤器部件	Oil Filter	21	
20	100104918-0001	NC250机油滤网盖(黑锌)	Cover Oil Filter Screen		
21	100107684	O型圈(φ17.5×1.8 氟橡胶)	O-Ring, φ17.5×1.8		
22	100060838	NC250机油滤网组合(2# 带O型密封圈)	Strainer Oil Filter	3	
23	100033118-0007	GB16674小盘螺栓M6×40(兰白锌) 35CrMo P	Bolt, M6×40		
24	100760469-0001	NC450S右曲轴箱组合(2# 曲轴轴承孔带嵌件_油冷孔螺纹M10×1.25_抛丸钝化)	Right Crankcase Block		
25					
26					
27					
28					
29					
30					
31					
32					
33					
34					
35					
36					
37					
38					
39					
40					
41					
42					
43					
44					
45					



右曲轴箱 RIGHT CRANKCASE

曲轴连杆部件/活塞 CRANKSHAFT CONNECTING-ROD ASSY/PISTON

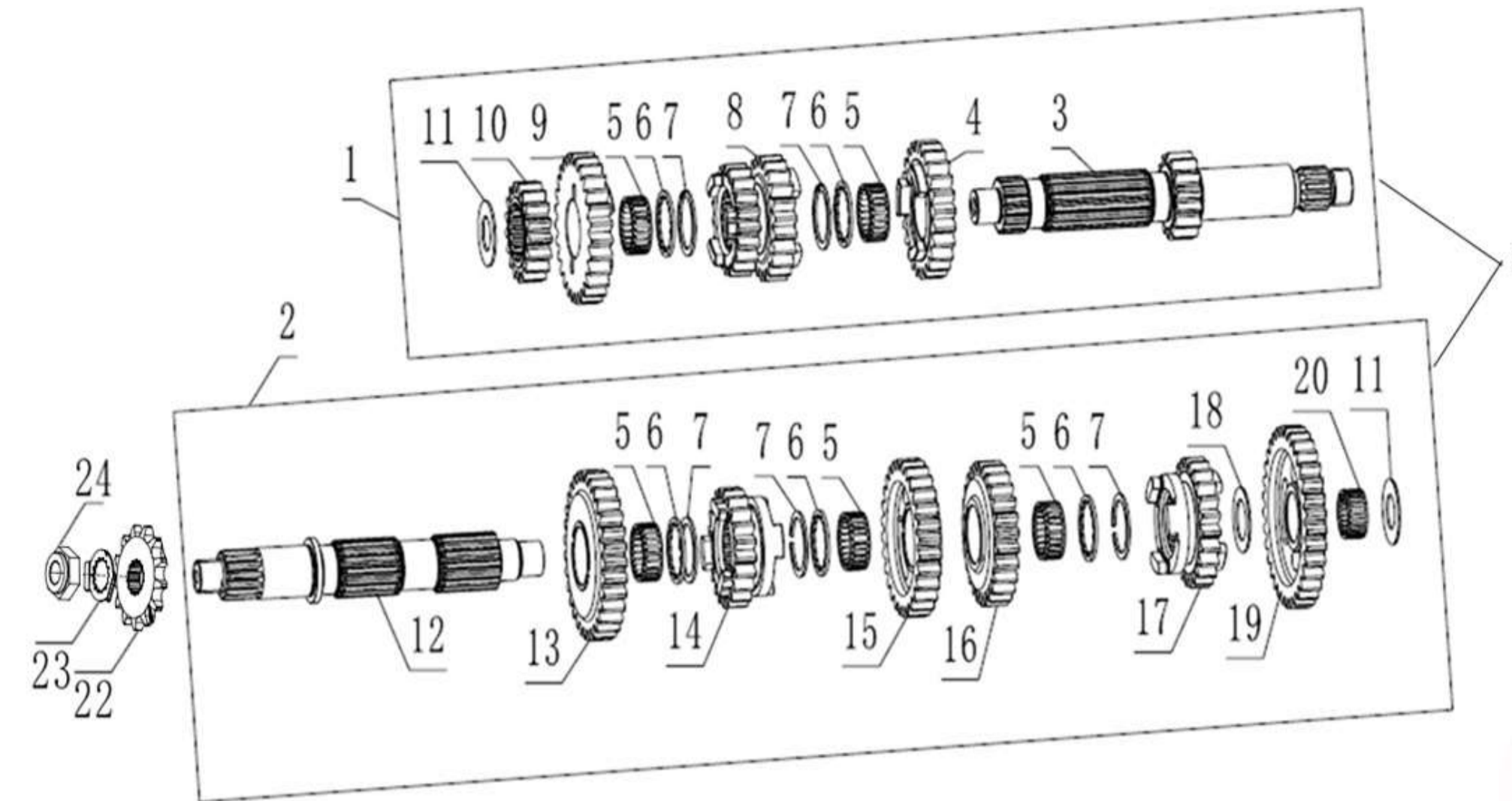
序号NO.	编码 (PART CODE)	中文名称 (CHINESE DESCRIPTION)	英文名称 (ENGLISH DESCRIPTION)	数量QTY	备注 Note
1	100759687	NC450S曲轴平键(4×4×16)	Tabulate Key		
2	100033053-0001	GB6170螺母M14×1.5(兰白锌)	Nut, M14×1.5		
3	100085912	NC450曲轴间隙调节垫圈 φ35×0.2×φ50	Washer, φ35×0.2×φ50		
4	100713372	NC450S活塞环总成	Piston Ring, Comp		
5	100712823	NC450S活塞销挡圈	Piston pin retainer		
6	100124086	NC450S活塞	Piston		
7	100712824	NC450S活塞销	Piston pin		
8	100059393	NC250平衡轴锁紧螺母M24×1(2#)	Nut M24		
9	100106369	平垫圈(φ24.2×2.5×φ32)	Washer, φ24.2×2.5×φ32		
10	100748770	NC450S曲轴正时主动链轮(链条加强)	Timing drive sprocket		
11	100120900	NC450平衡主动齿轮(2#)	Driving Gear		
12	100100650	NC250半圆键	Semicircular Key		
13	100100661	NC250曲轴平键(4×4×16)	Tabulate Key		
14	100756165	NC450曲轴连杆部件(2# 立多禄塑钻膜KU344322 镀铜)	Crankshaft Connecting-Rod Assy		
15	100095893	平垫圈(φ25×2×φ40)	Washer, φ25×2×φ40		
16	100101022	轴承(K29×33×20 滚针)	Needle BeRing, (K29×33×20)		
17	100086987	NC450启动大齿轮组合(2#)	Plate Gear Assy		
18	100086989	NC450超越离合器部件	Assembly Overrunning Clutch		
19	100120901	NC450主动齿(2#)	Primary Drive Gear		
20	100059394	NC250主动齿止推垫圈(2#)	Stop Washer		
21	100059392	NC250主动齿锁紧螺母M18×1(2#)	Nut M18		
22	100059391	NC250离合器锁紧螺母(M16×1)	Lock Nut, Clutch		
23	100103345	CB125脚离合器碟形垫圈(16.5×2×27)	Dish Washer, Clutch		
24	100120899	NC450平衡从动齿轮组合(2#)	Driven Gear Ass.		
25	100103573	NC250曲轴轴套	Crankshaft Tube		
26	100100661	NC250曲轴平键(4×4×16)	Tabulate Key		
27	100087509	NC450平衡轴组合(3#)	Balance Shaft		
28	100085912	NC450曲轴间隙调节垫圈 φ35×0.2×φ50	Washer, φ35×0.2×φ50		
29					
30					
31					
32					
33					
34					
35					
36					
37					
38					
39					
40					
41					
42					
43					
44					
45					



曲轴连杆部件/活塞
CRANKSHAFT CONNECTING-ROD ASSY/PISTON

主副轴组合 TRANSMISSION MAIN,COUNTER SHAFT

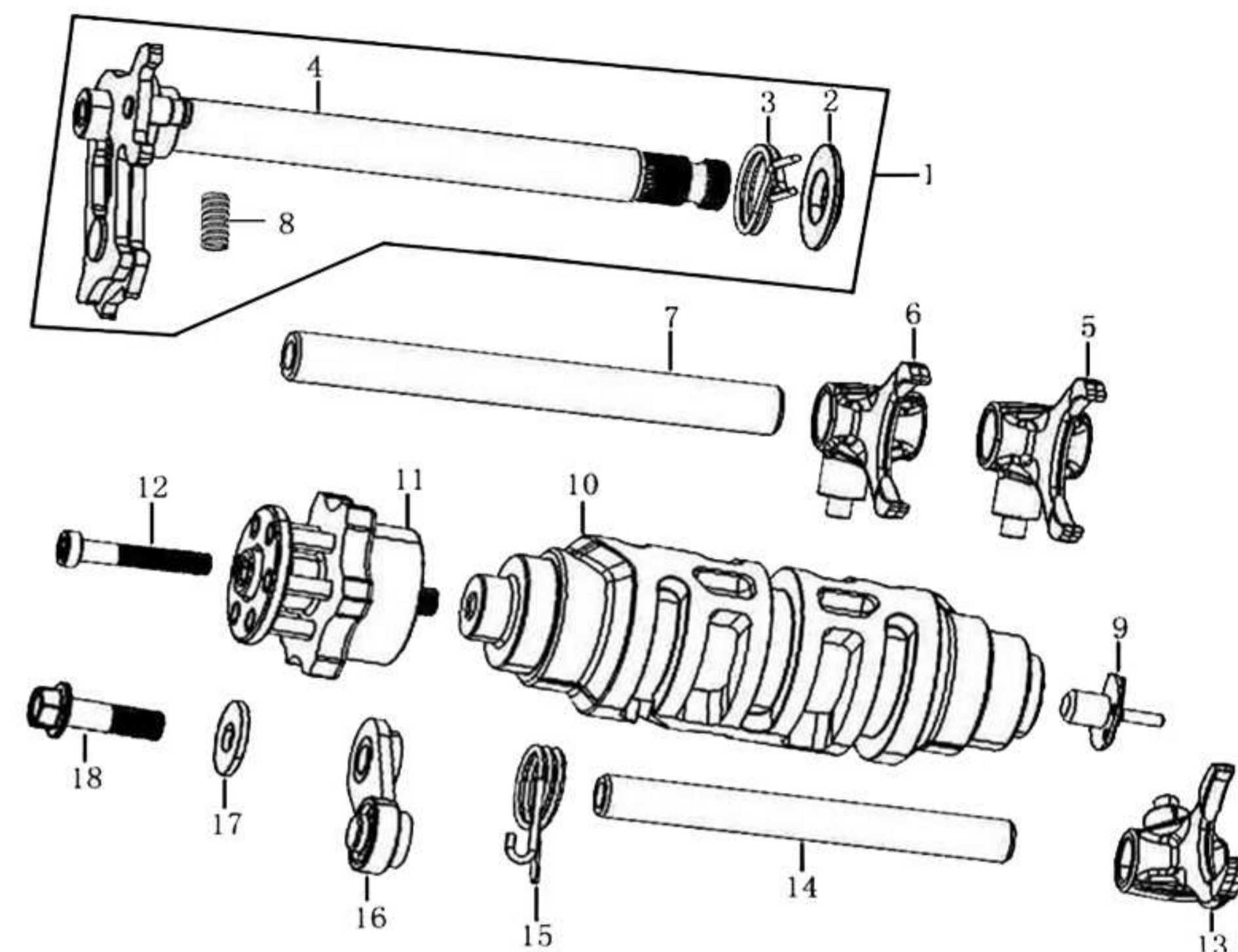
序号NO.	编码 (PART CODE)	中文名称 (CHINESE DESCRIPTION)	英文名称 (ENGLISH DESCRIPTION)	数量QTY
1	100162378	NC450主轴组合(3#)	Main Shaft Transmission	
2	100162430	NC450副轴组合(3#)	Countershaft Transmission	
3	100090876	NC450主轴芯轴(2#)	Transmission Main Shaft	
4	100162380	NC450主轴5档齿轮(3#)	Gear M-5	
5	100078562	轴承(KS24×28×10TN 滚针_PA46)	Needle BeARING, (KS24×28×10Tn_PA46)	
6	100106764	NC450主副轴齿轮隔圈(15齿)	Washer	
7	100106772	NC450主副轴齿轮挡圈	Circlip	
8	100162379	NC450主轴3(4)档齿轮(3#)	Gear M-3, 4	
9	100162381	NC450主轴6档齿轮(3#)	Gear M-6	
10	100106752	NC450主轴2档齿轮	Gear M-2	
11	100106441	平垫圈(φ17×1×φ32)	Washer, φ17×1×φ32	
12	100106795	NC450副轴芯轴	Transmission Counter Shaft	
13	100162383	NC450副轴2档齿轮(3#)	Gear C-2	
14	100162387	NC450副轴6档齿轮(3#)	Gear C-6	
15	100162384	NC450副轴3档齿轮(3#)	Gear C-3	
16	100162385	NC450副轴4档齿轮(3#)	Gear C-4	
17	100162386	NC450副轴5档齿轮(3#)	Gear C-5	
18	100106467	平垫圈(φ20.1×1×φ30)	Washer, φ20.1×1×φ30	
19	100162382	NC450副轴1档齿轮(3#)	Gear C-1	
20	100101013	轴承(K20×24×10 滚针)	Needle BeARING, (K20×24×10)	
21	100162431	NC450主副轴组合(3#)	Transmission Main Counter Shaft	
22	100066160	NC450主动链轮(520.13)	clutch	
23	100067277	NC450主动链轮止推垫圈(内花键)	Stop Washer	
24	100058085	NC250主动链轮锁紧螺母M16×1(螺母带沉台)	Nut	
25				
26				
27				
28				
29				
31				
32				
33				
34				
35				
36				
37				
38				
39				
40				
41				
42				
43				
44				
45				
46				



主副轴组合 TRANSMISSION MAIN,COUNTER SHAFT

变速机构 GEARSHIFT MECHANISM

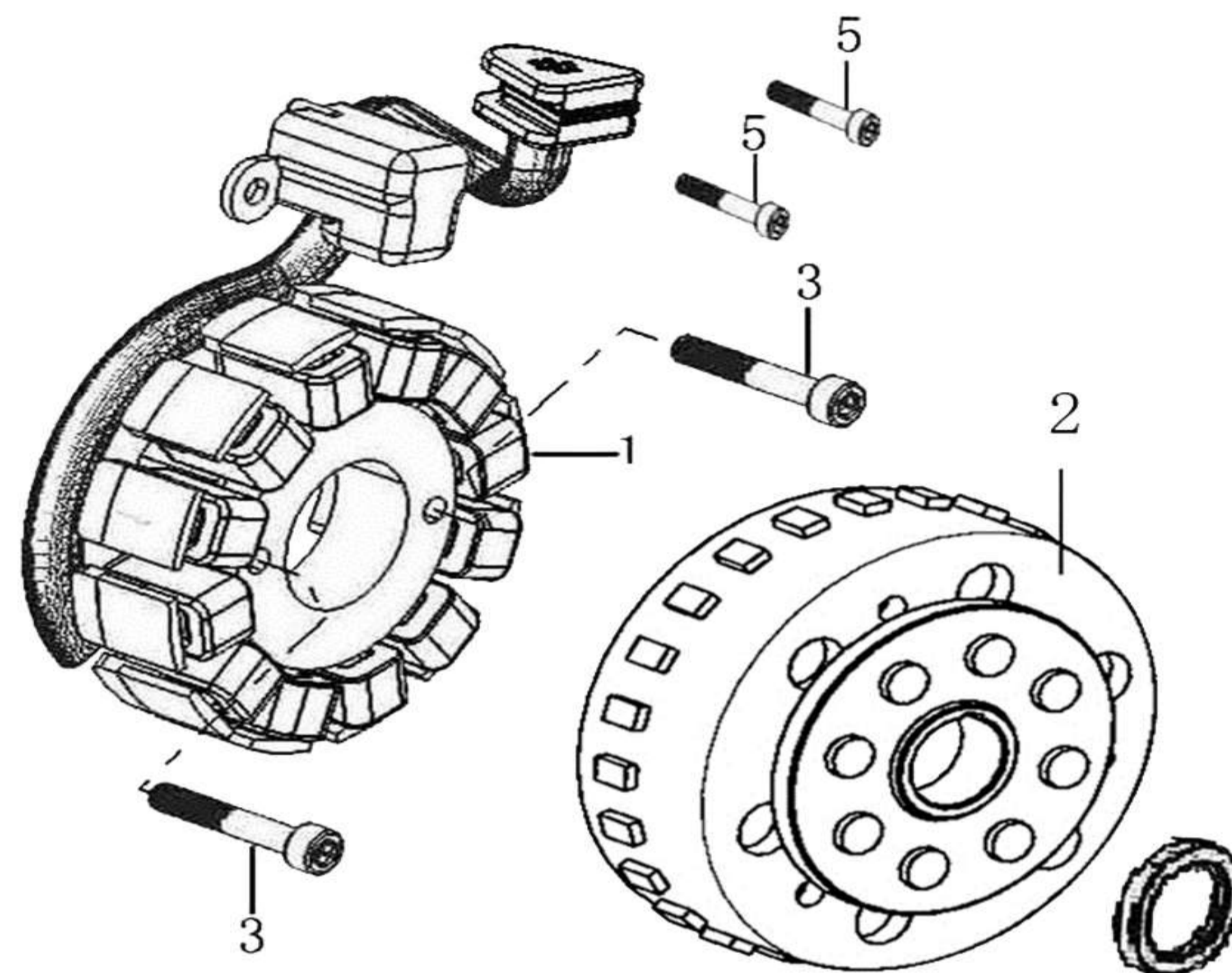
序号NO.	编码 (PART CODE)	中文名称 (CHINESE DESCRIPTION)	英文名称 (ENGLISH DESCRIPTION)	数量QTY
1	100103964	NC250换挡臂部件	Gearshift Lever Comp	
2	100104001	NC250换挡轴轴套	Axle Sleeve	
3	100103973	NC250换挡回位弹簧	Return Spring	
4	100203923	NC250换挡轴组合	Gearshift Shaft Comp	
5	100103901	NC450副轴左拨叉	Left Fork Countershaft	
6	100103897	NC450副轴右拨叉	Right Fork Countershaft	
7	100103929	NC450副轴拨叉轴	Guide Pin, Selector Fork Center	
8	100103979	NC250换挡板回位弹簧	SpRing, Gearshift Plate	
9	100104487	CG125D档显动触头(2#)	Contact Cearindication	
10	100103939	NC450变速鼓部件(六档国际档)	Gearshift Drum Comp	
11	100103945	NC250倒档五星板	Stopping Plate	
12	100011537-0002	GB16674小盘螺栓M6×35(兰白锌)	Bolt, M6×35	
13	100103907	NC450主轴拨叉	Center Fork Mainshaft	
14	100103921	NC250主轴拨叉轴	Shaft Gearshift Fork	
15	100103988	NC250定位板弹簧(2#)	SpRing, Locating Plate	
16	100104010	NC250定位板组合	Locating Plate Assy	
17	100106379	平垫圈(φ6.5×1.5×φ18 磷化)	Washer, φ6.5×1.5×φ18	
18	100055588-0006	GB16674小盘螺栓M6×20(兰白锌)	Bolt, M6×20	
19				
20				
21				
22				
23				
24				
25				
26				
27				
28				
29				
30				
31				
32				
33				
34				
35				
36				
37				
38				
39				
40				
41				
42				
43				
44				
45				



变速机构
GEARSHIFT MECHANISM

磁电机总成 MAGNETO COMP

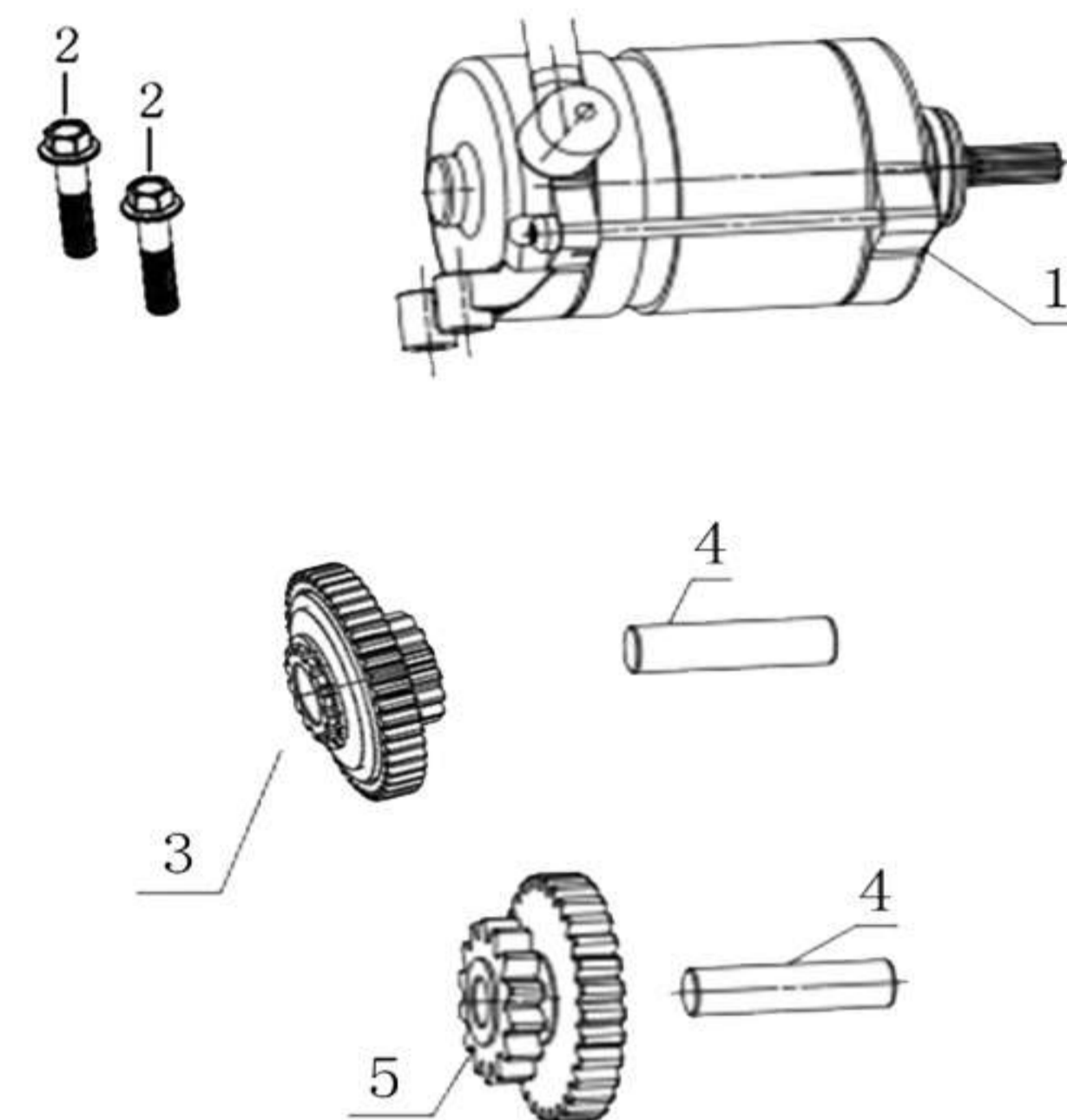
序号NO.	编码 (PART CODE)	中文名称 (CHINESE DESCRIPTION)	英文名称 (ENGLISH DESCRIPTION)	数量QTY	备注 Note
1	100746524-0002	NC450S磁电机定子组合(12V18极_三相全波直流_照明传感线束分叉_220mm处分叉_接口SQBZ-C20_L1:300)	Stator Assy, Magneto		
2	100731422	NC450S磁电机转子组合(12V18极_凸包个数22)	Stator Assy Magneto		
3	100010833-0001	GB70.1螺栓M5×25(兰白锌)	Bolt, M5×25		
4	100106421	平垫圈(φ15.2×1.5×φ25 磷化)	Washer, φ15.2×1.5×φ25		
5	100031788-0003	GB70.1螺栓M5×16(兰白锌)	Bolt, M5×16		
6					
7					
8					
9					
10					
11					
12					
13					
14					
15					
16					
17					
18					
19					
20					
21					
22					
23					
24					
25					
26					
27					
28					
29					
30					
31					
32					
33					
34					
35					
36					
37					
38					
39					
40					
41					
42					
43					
44					
45					



磁电机总成 MAGNETO COMP

电启动机构 ELECTRIC STARTING MECHANI

序号NO.	编码 (PART CODE)	中文名称 (CHINESE DESCRIPTION)	英文名称 (ENGLISH DESCRIPTION)	数量QTY	备注 Note
1	100715179-0003	NC450S启动电机(单线_靴形34109-351B-0000_600_机座钝化_机壳兰白锌)	Starting Motor Assy		
2	100011534-0002	GB16674小盘螺栓M6×25(兰白锌)	Bolt, M6×25		
3	100083794	NC450双联齿轮组合一(2# 摩擦式)	Gear, Reduction, 1		
4	100062750	NC450双联齿轮轴(一)	Shaft Reduction		
5	100060120	NC450双联齿轮二(2#)	Gear, Reduction, 2(2#)		
6					
7					
8					
9					
10					
11					
12					
13					
14					
15					
16					
17					
18					
19					
20					
21					
22					
23					
24					
25					
26					
27					
28					
29					
30					
31					
32					
33					
34					
35					
36					
37					
38					
39					
40					
41					
42					
43					
44					
45					



电启动机构 ELECTRIC STARTING MECHANI





]







1

[

]

24

11



]



$\left. \begin{array}{l} 1 \\ 7 \\ 3 \end{array} \right\}$

21





